

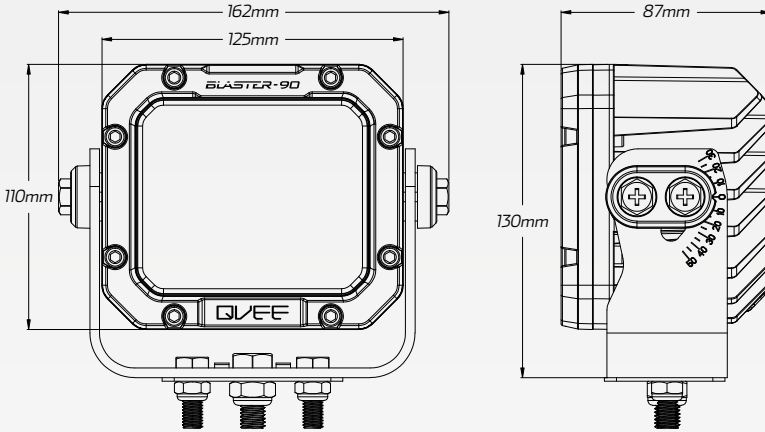
QVEE 90W Heavy Duty LED Worklight - Spot Beam
BLASTER SERIES #QVWL90MSHD

www.qvee.com.au

DESCRIPTION

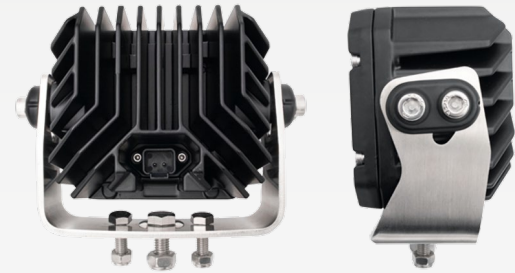
The QVEE 90W "Blaster" worklights are specifically designed to handle Australia's harsh environments. Equipped with 9 x 10W of the latest Osram® LED's this light outputs an incredible 9,000 Lumens, washing over your work area and helping you see the job in front of you clearly.

Heavy duty IP69K rated housing & ultra heavy duty mounting bracket. This light will handle even the most dust & wet environments.



ACCESSORIES

- Heavy Duty Mounting Brackets & Fittings



TECHNICAL SPECIFICATIONS

Voltage	• 9 - 32 Volt
Wattage	• 90 Watt
IP Rating	• IP69K Rated
Raw Lumens	• 9,000 Lumens
Efficient Lumens	• 7,800 Lumens
LED Count	• 9 x 10W High Powered Osram® LED's
Beam Coverage	• Spot Beam

Colour Temperature	• 5700 K
Vibration Resistance	• Up to 30G
Housing Material	• ADC 12 Aluminium Housing
Lens Material	• Polycarbonate Lens
Dimensions	• 162mm L x 130mm H x 87mm D
Approvals	• EMC/EMI Rating: CISPR 25 - Class 4

