

**BLASTER
ELITE-90**

**90W Heavy Duty LED
Worklight - Spot Beam**

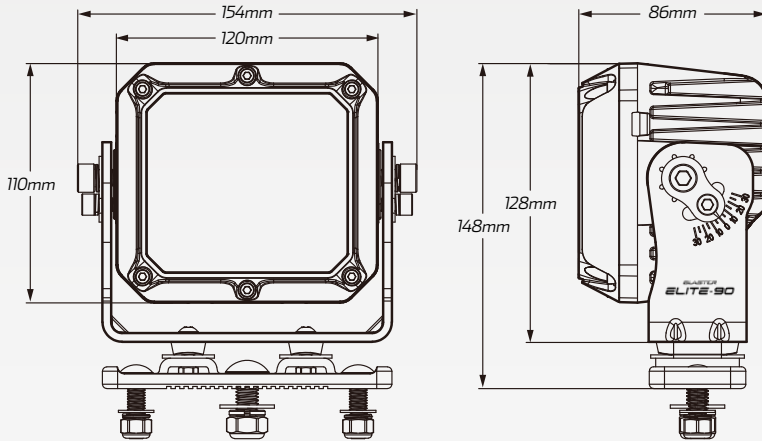
www.qvee.com.au

#QVWL90SHDE

DESCRIPTION

The QVEE 90W 'Blaster Elite' breaks the standards of worklights! Featuring the latest Osram® LED's producing a whopping 7,800 Lumens of Spot power consistently over your work zone.

Equipped with a rugged mine spec mounting bracket and IP68/IP69K rated, vibration & shock resistant housing able to withstand even the harshest conditions. The ultimate reliable for 4WD's, mining and agricultural.



ACCESSORIES

- Mine Spec Mounting Brackets & Fittings



TECHNICAL SPECIFICATIONS

| | | | |
|-------------------------|-------------------------------------|-----------------------------|-------------------------------------|
| Voltage | • 10 - 32 Volt | Colour Temperature | • 5700 K |
| Wattage | • 90 Watt | Vibration Resistance | • 15G rms 24-2000Hz |
| IP Rating | • IP68/IP69K Rated | Shock Resistance | • 60G |
| Raw Lumens | • 7,800 Lumens | Housing Material | • Die-cast aluminium |
| Efficient Lumens | • 7,000 Lumens | Lens Material | • Polycarbonate Lens |
| LED Count | • 9 x 10W High Powered Osram® LED's | Dimensions | • 154mm L x 148mm H x 86mm D |
| Beam Coverage | • Spot Beam | Approvals | • EMC CISPRS 4, CE, RoHS, R10, R112 |

