

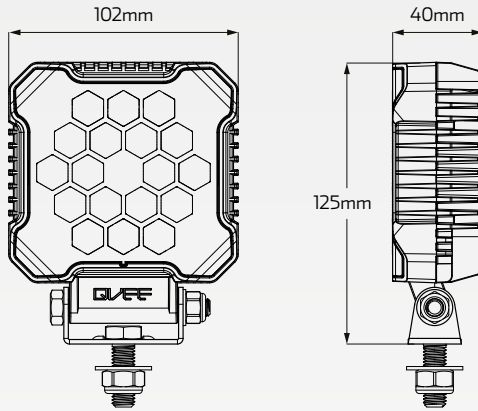
QVEE 32W Square High Powered LED Worklight - Flood Beam
AUTOMOTIVE | MINING | MARINE #QVWLS32F

www.qvee.com.au

DESCRIPTION

32W square LED worklight. A slimline and compact worklight that does not sacrifice any performance. Featuring a multivolt 10-32V DC connection, this 18 x high powered LED worklight produces up to 3,200 lumens at 6500K. Equipped with polycarbonate lens, die-cast aluminium housing & stainless steel fittings, this worklight is ready to withstand even the harshest conditions.

DIMENSIONS



10V
32V

IP68

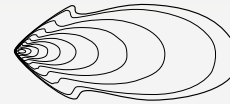
ECE
COMPLIANT



ACCESSORIES

- Mounting bolt
- Stainless steel fittings

FLOOD



TECHNICAL SPECIFICATIONS

Voltage	• 10 - 32 Volt DC
Wattage	• 32 Watt
IP Rating	• IP68 Rated
Raw Lumens	• 3,200 Lumens
Effective Lumens	• 2,800 Lumens
LED Count	• 18 x High Powered LED's
Colour Temperature	• 6500K
Vibration Resistance	• 15 Grms 24-2000Hz
Shock Resistance	• 60G
Operating Temperature	• -30°C to 65°C
Dimensions	• 102mm W x 125mm H x 40mm D
Approvals	• ECE R10, CISPR25 Class 3, RoHS, CE

BEAM COVERAGE
(Beam coverage at 60°)

