

**Britax** 4 Pin Relays - Normally Open

Sold Individually

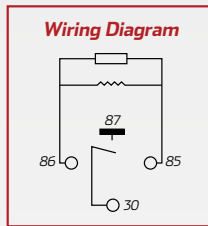
www.britaxbeacons.com.au

**DESCRIPTION**

Normally open 4 pin relay. Meets ISO9001 requirements.  
Suitable for wide range automotive or electrical applications.

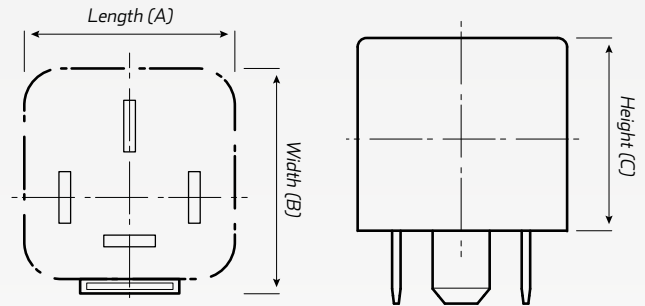
**FEATURES:**

- Epoxy sealed, water & dust protected (IP67)
- Silver contacts AgSnO2
- Supplied with snap in mounting bracket
- Engage: 70% of V, Disengage: 20% of V



**TECHNICAL SPECIFICATIONS**

<b>Conductor Material</b>	• Copper braid load conductor
<b>Contact Material</b>	• Silver contacts
<b>Terminal Size</b>	• Switch: 6.3mm / Power: 9.5mm
<b>Approvals</b>	• ISO9001, QS9000, ISO/T16949 • CE, UL, CSA, TUV



**PART NUMBER**

Part Number	Volt	Amp	Protection	Dimensions (A x B x C)	Description
R4-1240RB	12V	40A	Resistor	26mm x 26mm x 24.5mm	12 Volt, 40 Amp, 4 pin relay with mounting bracket & resistor protection
R4-1250RB	12V	50A	Resistor	29mm x 29mm x 26.5mm	12 Volt, 50 Amp, 4 pin relay with mounting bracket & resistor protection
R4-1280RB	12V	80A	Resistor	29mm x 29mm x 26.5mm	12 Volt, 80 Amp, 4 pin relay with mounting bracket & resistor protection
R4-2440RB	24V	20A	Resistor	26mm x 26mm x 24.5mm	24 Volt, 20 Amp 4 pin relay with mounting bracket & resistor protection
R4-2480RB	24V	40A	Resistor	29mm x 29mm x 26.5mm	24 Volt, 40 Amp 4 pin relay with mounting bracket & resistor protection