

QVEE
AUTOMOTIVE | MINING | MARINE

Mine Bar with Rotating Beacon & Worklight
#RHBAR1250-NT10

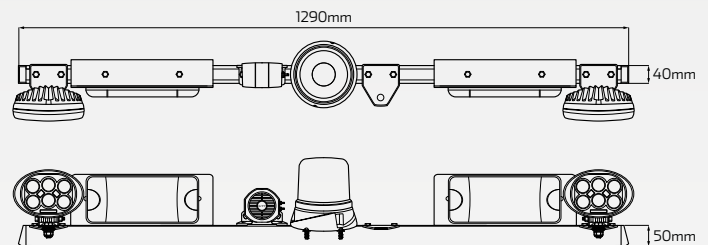
www.qvee.com.au



PRODUCT BREAKDOWN

Part No.	Description	Qty
QVRB1	• Black alloy mine bar	• 1
QVCNKIT	• Channel nut kit, 8mm hole	• 6
7660A	• "ECCO" Class 1 LED rotating amber beacon	• 1
H2378	• "Hella" stop/tail/indicator light	• 2
QVWL60WF	• "QVEE" 60W flood worklight	• 2
QVRABWS	• "QVEE" 97dB dual function reverse alarm	• 1
QVBRK5	• Black, powder coated flag/worklight bracket	• 3

DIMENSIONS



- Accessories come pre-assembled
- Beacon & indicators are mounted with BRK1 & BRK3 stainless steel brackets
- Comes pre-wired with 2 pin Deutsch connector & 3mm 7 core trailer cable

TECHNICAL SPECIFICATIONS

GENERAL SPECIFICATIONS

Bar Dimensions	• 1290mm L x 50mm H x 40mm D
Cable Wiring	• 3mm 7 core trailer cable (5m)

BEACON - 7660A

Input Voltage	• 12 - 24 Volt DC
Colour	• Amber, 125 RPM rotator
IP Rating	• IP67 Rated
Approvals	• SAE J845 Class 1, ECE R10

REVERSE ALARM - QVRABWS

Sound Type	• "Beep Beep" & "Shhh Shhh" (change via switch)
IP Rating	• IP66 Rated
Decibel Level	• 97dB

FLAG / WORKLIGHT BRACKET - QVBRK5

Mounting Hole	• 14mm Diameter
Coating	• Black Powder Coating

STOP / TAIL / INDICATOR - H2378

Input Voltage	• Multivolt - 12/24 Volt
IP Rating	• IP6K7 & IP6K9K Rated
Approvals	• E24 5883 • ADR 6/00: Cat 2a, ADR 49/00 • ECE R6/01, ECE R7/02

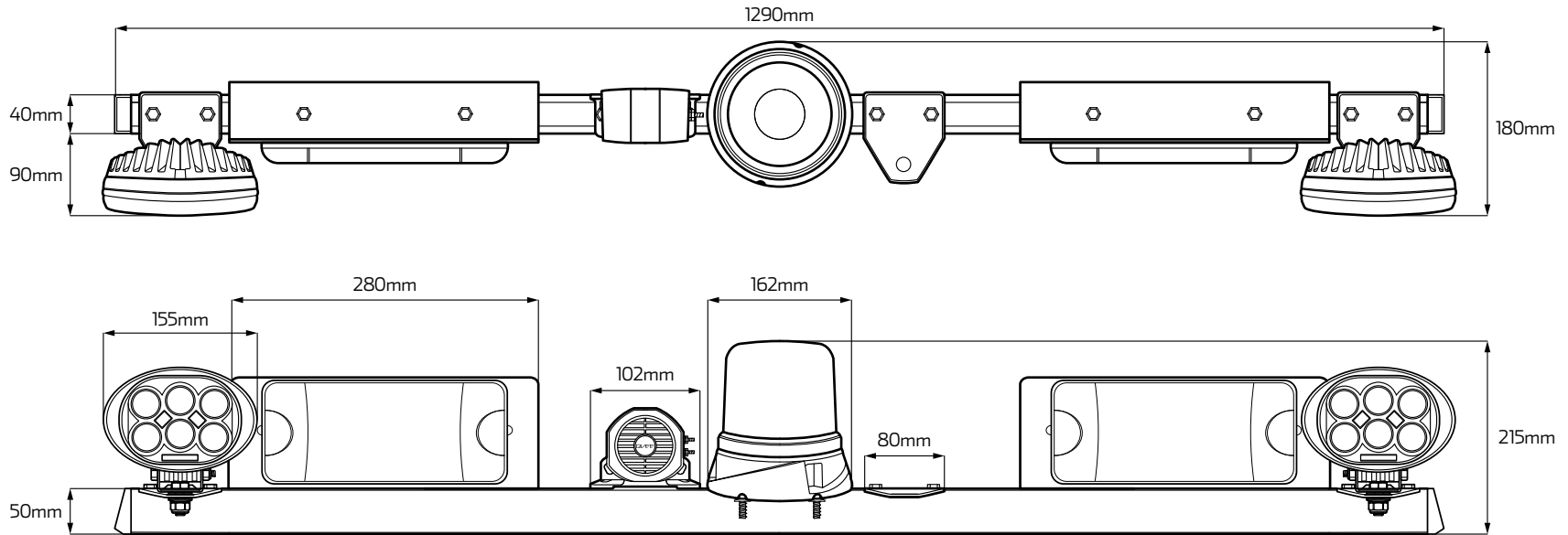
WORKLIGHT - QVWL60WF

Beam Type	• Flood beam
Lumens	• 6 Cree® LED's - 6,000 Lumens
IP Rating	• IP68 Rated

MINE BAR WITH 7660A ROTATING BEACON

RHBAR1250-NT10 Dimension Diagram

Dimensions:



+Allowance of +/- 1mm.

*To avoid warranty issues QVEE recommends product are fitted by a qualified Auto Electrician.

1250MM / 1375MM / 1500MM MINE BAR Wiring Diagram

Wiring Diagram*:

