

QVEE
AUTOMOTIVE | MINING | MARINE

Mine Bar with Slimline Beacon
& Front Facing Indicators
#RHBAR1250-NT11

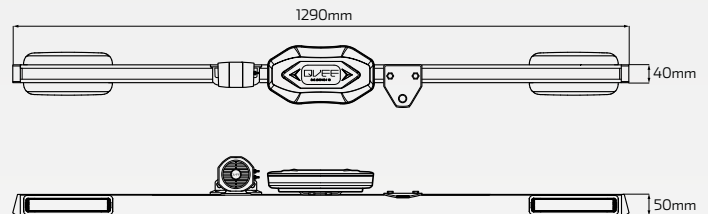
www.qvee.com.au



PRODUCT BREAKDOWN

Part No.	Description	Qty
QVRB1	• Black alloy mine bar	• 1
QVCNKIT	• Channel nut kit, 8mm hole	• 3
QVRB250	• "QVEE" Class 1 slimline LED Beacon	• 1
201BSTIB	• "LED Autolamps" stop/tail indicator lamp	• 2
200BAM	• "LED Autolamps" front facing indicator lamp	• 2
QVRABWS	• "QVEE" 97dB dual tone reverse alarm	• 1
QVBRK5	• Black, powder coated flag/worklight bracket	• 1

DIMENSIONS



- Accessories come pre-assembled
- Beacon and indicators are mounted with stainless steel brackets
- Comes pre-wired with 2 pin Deutsch connector & 3mm 7 core trailer cable

TECHNICAL SPECIFICATIONS

GENERAL SPECIFICATIONS

Bar Dimensions	• 1290mm L x 50mm H x 40mm D
Cable Wiring	• 3mm 7 core trailer cable (5m)

BEACON - QVRB250

LED Count	• 40 SMD LED's
Input Voltage	• 10 - 30 Volt DC, 40 Watt
Colour	• Amber, 20 different flash patterns
IP Rating	• IP67 Rated

REVERSE ALARM - QVRABWS

Sound Type	• "Beep Beep" & "Shhh Shhh" (change via switch)
IP Rating	• IP66 Rated
Decibel Level	• 97dB

FLAG / WORKLIGHT BRACKET - QVBRK5

Mounting Hole	• 14mm Diameter
Coating	• Black Powder Coating

STOP / TAIL / INDICATOR - 201BSTIB

Input Voltage	• 12 Volt only
IP Rating	• IP67 Rated
Approvals	• Stop - ADR Category 49/00 CRN 46885 • Tail - ADR Category 49/00 CRN 46885 • Indicator - ADR Category 49/00 CRN 46884

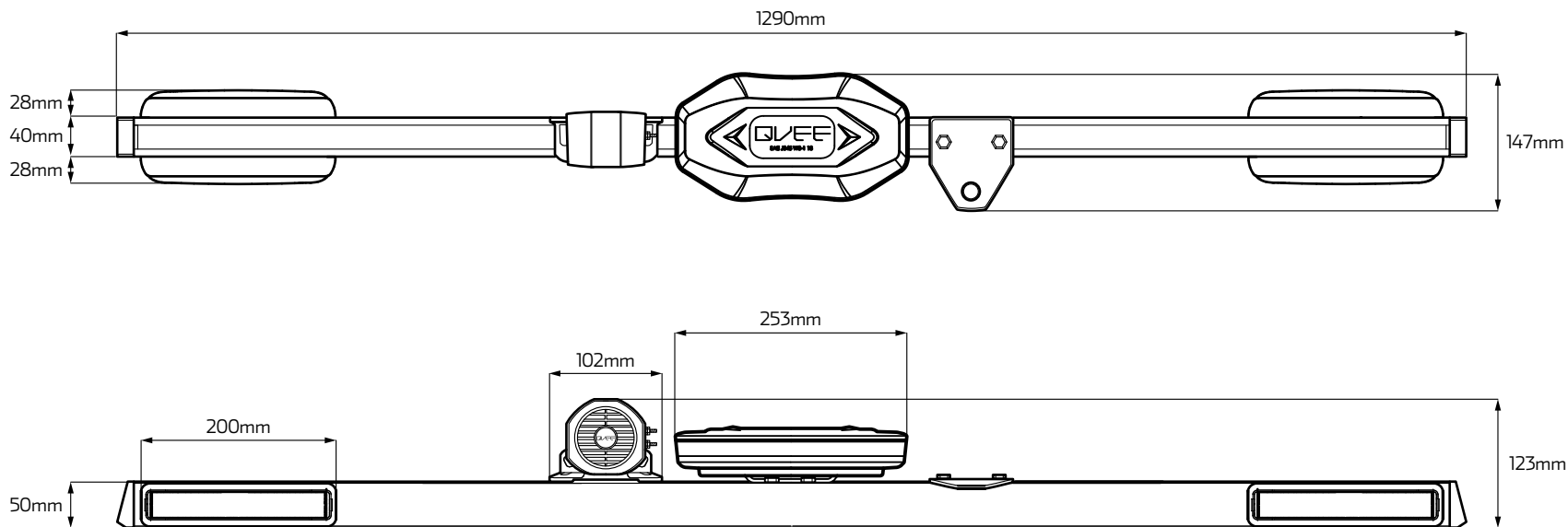
FRONT FACING INDICATOR - 200BAM

Input Voltage	• 12 - 24 Volt
IP Rating	• IP67 Rated
Approvals	• Indicator - ADR Category 6-00-2A CRN 35795

MINE BAR WITH SLIMLINE BEACON & FRONT FACING INDICATOR

RHBAR1250-NT11 Dimension Diagram

Dimensions:



+Allowance of +/- 3mm.

*To avoid warranty issues QVEE recommends product are fitted by a qualified Auto Electrician.

1250MM / 1375MM / 1500MM MINE BAR Wiring Diagram

Wiring Diagram*:

