

**QVEE**  
AUTOMOTIVE | MINING | MARINE

Mine Bar with Slimline  
LED Beacon - Right Cable Exit  
#RHBAR1250-NT2R

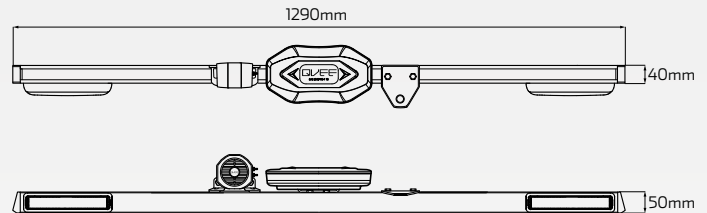
www.qvee.com.au



### PRODUCT BREAKDOWN

Part No.	Description	Qty
QVRB1	• Black alloy mine bar	• 1
QVCNKIT	• Channel nut kit	• 3
QVRB250	• "QVEE" Heavy duty LED slimline beacon	• 1
201BSTIB	• "LED Autolamps" stop/tail/indicators	• 2
QVRABWS	• "QVEE" 97dB dual tone reverse alarm	• 1
QVBRK5	• Black, powder coated flag/worklight bracket	• 1
37C	• 3mm, 7 core trailer cable (7m)	• 7

### DIMENSIONS



- Accessories come pre-assembled
- Beacon is mounted with a stainless steel bracket
- Comes pre-wired with QVDT2HALF, 2 pin male Deutsch connector

### TECHNICAL SPECIFICATIONS

#### GENERAL SPECIFICATIONS

Bar Dimensions	• 50mm x 40mm x 1290mm
Cable Wiring	• 3mm 7 core trailer cable (7m)

#### BEACON - QVRB250

LED Count	• 40 SMD LED's
Input Voltage	• 10 - 30 Volt DC, 40 Watt
Colour	• Amber, 20 different flash patterns
IP Rating	• IP67 Rated

#### REVERSE ALARM - QVRABWS

Sound Type	• "Beep Beep" & "Shhh Shhh" (change via switch)
IP Rating	• IP66 Rated
Decibel Level	• 97dB

#### FLAG / WORKLIGHT BRACKET - QVBRK5

Mounting Hole	• 14mm Diameter
Coating	• Black Powder Coating

#### STOP / TAIL / INDICATOR - 201BSTIB

Input Voltage	• 12 Volt only
IP Rating	• IP67 Rated
Approvals	• Stop - ADR Category 49/00 CRN 46885 • Tail - ADR Category 49/00 CRN 46885 • Indicator - ADR Category 49/00 CRN 46884

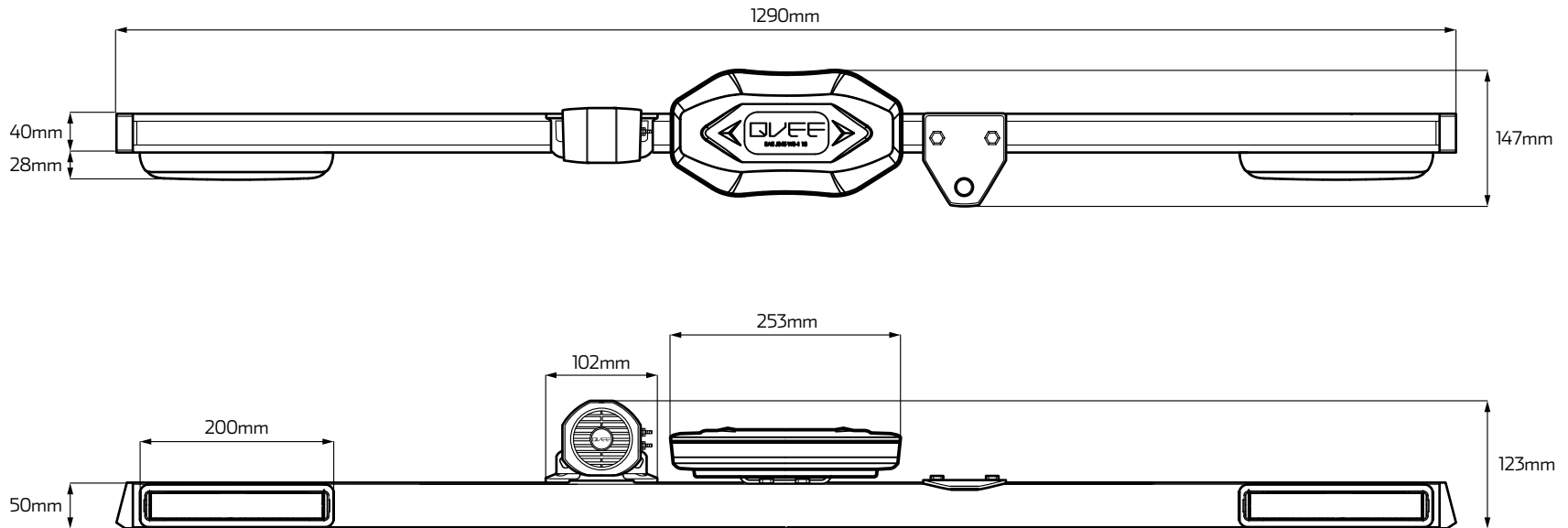
#### TRAILER CABLE - 37C

Conductor	• Plain copper conductor to AS1125
Insulation	• UV stabilised V90-HT PVC to AS 3202:2000
Voltage	• AC 50V / DC 120V to AS/NZS 3000:2000

# MINE BAR WITH SLIMLINE LED BEACON - RIGHT EXIT

## RHBAR1250-NT2R Dimension Diagram

Dimensions:



+Allowance of +/- 3mm.

\*To avoid warranty issues QVEE recommends product are fitted by a qualified Auto Electrician.

# 1250MM / 1375MM / 1500MM MINE BAR Wiring Diagram

## Wiring Diagram\*:

