

## QVEE

AUTOMOTIVE | MINING | MARINE

### Mine Bar with Rotating LED Beacon

#RHBAR1250-NT7

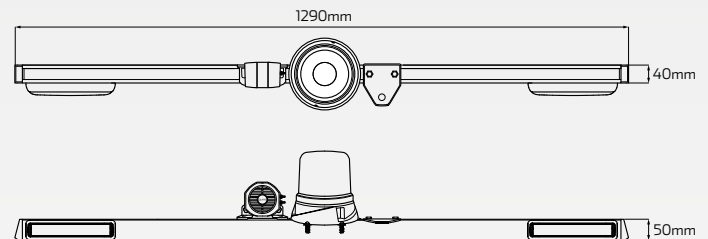
www.qvee.com.au



#### PRODUCT BREAKDOWN

Part No.	Description	Qty
QVRB1	• Black alloy mine bar	• 1
QVCNKIT	• Channel nut kit, 8mm hole	• 3
7660A	• "ECCO" Class 1 LED rotating amber beacon	• 1
201BSTIB	• "LED Autolamps" stop/tail/indicator light	• 2
QVRABWS	• "QVEE" 97dB dual tone reverse alarm	• 1
QVBRK5	• Black, powder coated flag/worklight bracket	• 1
37C	• 3mm 7 core trailer cable	• 5

#### DIMENSIONS



- Accessories come pre-assembled
- Beacon is mounted with BRK1 stainless steel brackets
- Comes pre-wired with 2 pin Deutsch connector & 3mm 7 core trailer cable

#### TECHNICAL SPECIFICATIONS

##### GENERAL SPECIFICATIONS

Bar Dimensions	• 1290mm L x 50mm H x 40mm D
Cable Wiring	• 3mm 7 core trailer cable (5m)

##### BEACON - 7660A

Input Voltage	• 12 - 24 Volt DC
Colour	• Amber, 125 RPM rotator
IP Rating	• IP67 Rated
Approvals	• SAE J845 Class 1, ECE R10

##### REVERSE ALARM - QVRABWS

Sound Type	• "Beep Beep" & "Shhh Shhh" (change via switch)
IP Rating	• IP66 Rated
Decibel Level	• 97dB

##### FLAG / WORKLIGHT BRACKET - QVBRK5

Mounting Hole	• 14mm Diameter
Coating	• Black Powder Coating

##### STOP / TAIL / INDICATOR - 201BSTIB

Input Voltage	• 12 Volt only
IP Rating	• IP67 Rated
Approvals	• Stop - ADR Category 49/00 CRN 46885 • Tail - ADR Category 49/00 CRN 46885 • Indicator - ADR Category 49/00 CRN 46884

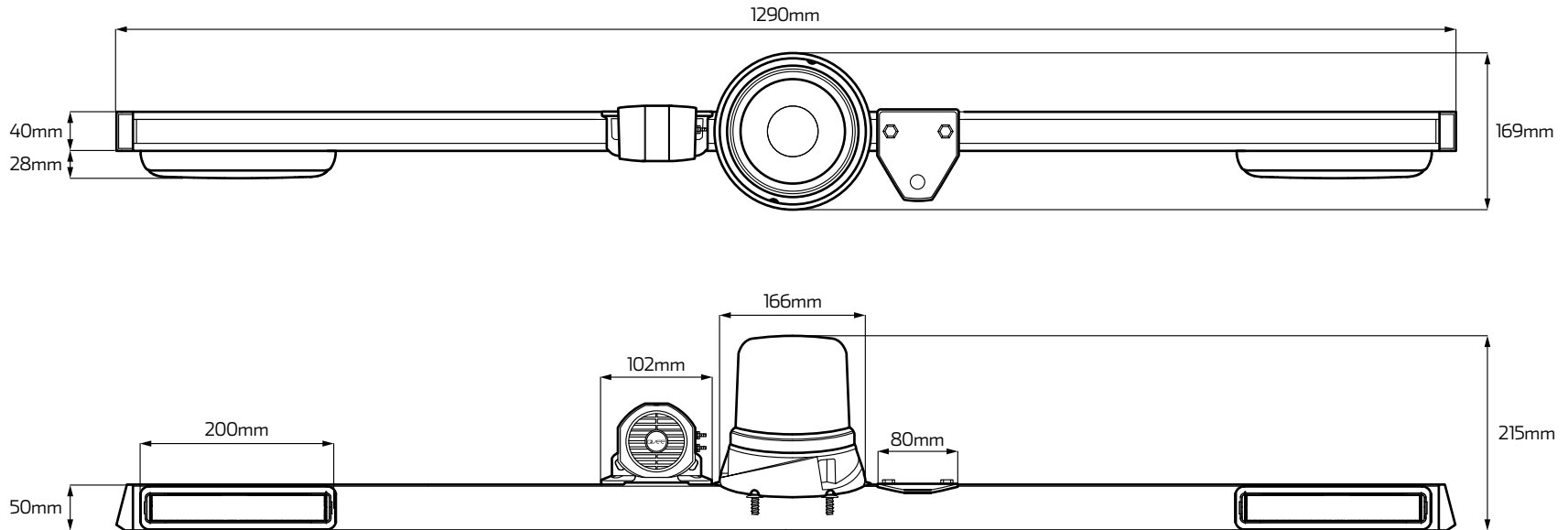
##### TRAILER CABLE - 37C

Conductor	• Plain copper conductor to AS1125
Insulation	• UV stabilised V90-HT PVC to AS 3202:2000
Voltage	• AC 50V / DC 120V to AS/NZS 3000:2000

# MINE BAR WITH 7660A LED BEACON

## RHBAR1250-NT7 Dimension Diagram

Dimensions:



+Allowance of +/- 3mm.

\*To avoid warranty issues QVEE recommends product are fitted by a qualified Auto Electrician.

# 1250MM / 1375MM / 1500MM MINE BAR Wiring Diagram

## Wiring Diagram\*:

