



Lightforce Striker Halogen Spot Light Kit

#RMDL170HT

www.lightforce.com

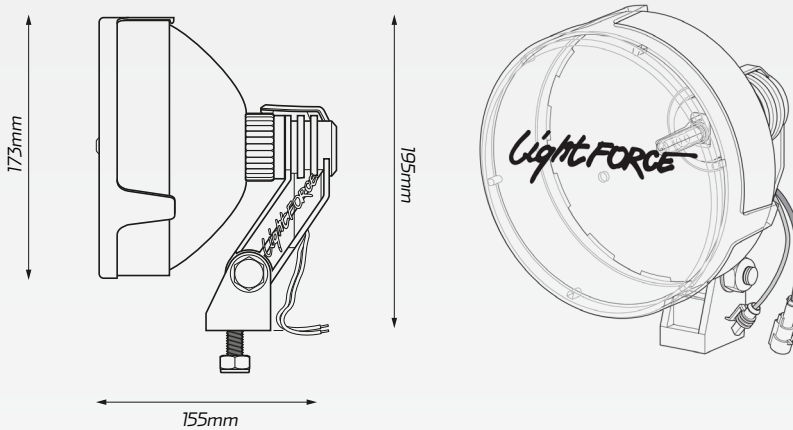


DESCRIPTION

12V, 100W, Lightforce 170 Striker series spot light features a light that can be focused from a wide pattern to a long distance spot pattern. These lights generate a maximum distance of 875m at 1 lux. IP69K Gore Protective Vent protection.

Powered by a 12V halogen Xenophot these lights can compete & even outperforms some of the most popular & larger HID spot lights. Each kit comes with clear covers.

DIMENSIONS



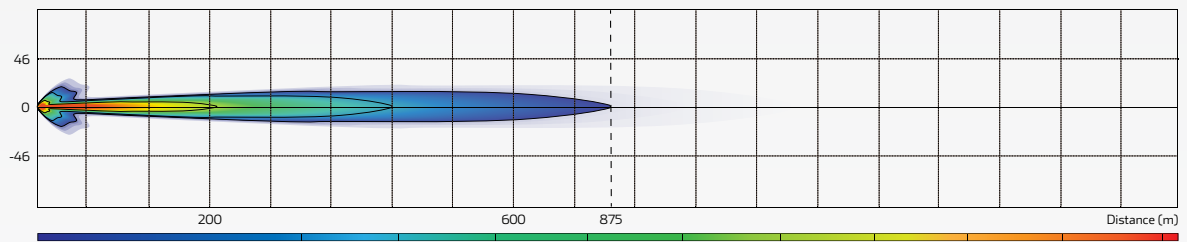
ACCESSORIES

- 2x Striker 12V Halogen driving lights
- 2x Spot filters
- 1x User instructions



BEAM COVERAGE

Data for a pair of lights



TECHNICAL SPECIFICATIONS

Voltage Range	• 12 Volt	Globe Lifespan	• 2,000 hours
Current Draw	• 9.2 Amps @ 13.2 Volt	Distance @ 1 Lux	• 875m (pair)
Wattage	• 100 Watt	Raw Lumens	• 1,749 lumens
IP Rating	• IP69K rated (Gore® membrane)	Effective Lumens	• 2,800 lumens
Colour Temperature	• 3,300K	Dimensions	• 195mm H (Light: 173mm) x 155mm W
Operating Temperature	• -40°C to 63°C	Weight (with bracket)	• 560 g (each lights)