



12V Lightforce Blitz
Halogen Spot Light Kit

#RMDL240T

www.lightforce.com

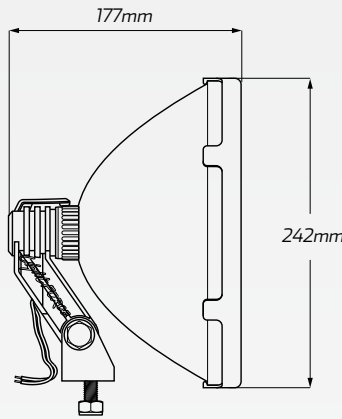


DESCRIPTION

12V, 100W Blitz Halogen spot light kit (2 lamps). The light output from these lamps can be focused from a wide pattern to a long distance spot pattern. Produces up to 994m beam at 1 lux with a colour temperature of 3300K. IP69K rated (Gore Protective Vent).

Lightweight polycarbonate, glass filled nylon composite construction.

DIMENSIONS



DIMENSIONS



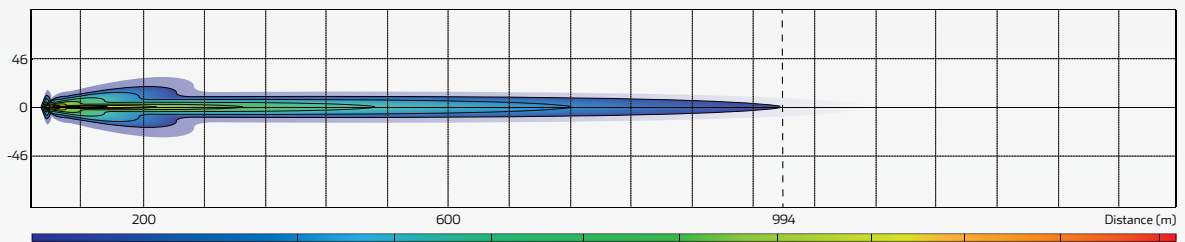
ACCESSORIES

- 2 x 12V 100W Halogen driving lights
- 2 x Spot filters
- 1 x User instructions

SPOT



BEAM COVERAGE
Data for a pair of lights



TECHNICAL SPECIFICATIONS

Voltage Range	• 12 Volt DC
Current Draw	• 9.2 Amps @ 13.2 Volt
Wattage	• 100 Watt
IP Rating	• IP69K rated (Gore® membrane)
Colour Temperature	• 3300K
Operating Temperature	• -40°C to 63°C

Globe Lifespan	• 2,000 hours
Distance @ 1 Lux	• 994m (pair)
Housing Material	• Lightweight polycarbonate, glass filled nylon
Lens Material	• Polycarbonate lens
Dimensions	• 242mm H x 177mm W
Weight (with bracket)	• 880 g (each lights)