

QVEE
AUTOMOTIVE | MINING | MARINE

SPST On/Off
Round Rocker Switch
Sold Individually

www.qvee.com.au



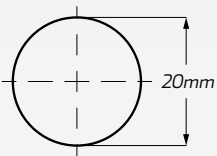
DESCRIPTION

12-24V SPST off/on rocker switch with illuminated LED.
Compact design. Rated: 10A @ 12V.

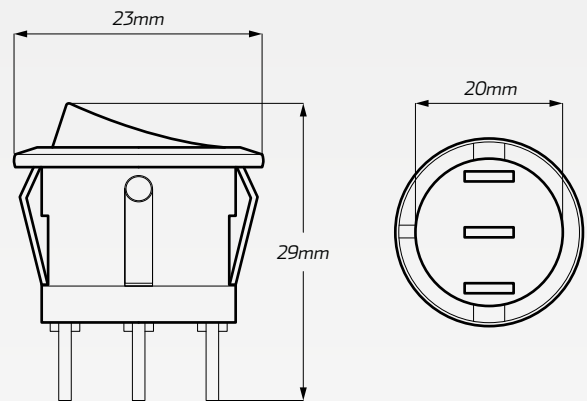
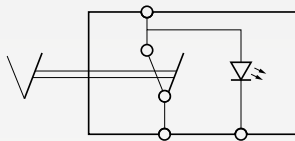
DIMENSIONS

- Compact design
- Equipped with LED illumination with full actuator
- 6.3mm blade terminal & rugged PA6 housing

Panel Cut-out*



Wiring Diagram



*Measurement Allowance: +/- 0.3mm

TECHNICAL SPECIFICATIONS

Function	• SPST On/Off	Body Colour	• Black
Suitable Voltage	• 12-24 Volt	Contacts	• 6.3mm blade terminals

PART NUMBERS

Part Number.	Voltage	LED Colour	Descriptions
RR12A	• 12-24 Volt	• Amber	• 12 - 24 Volt SPST round amber off/on rocker switch. 20mm mounting dia
RR12B		• Blue	• 12 - 24 Volt SPST round blue off/on rocker switch. 20mm mounting dia
RR12G		• Green	• 12 - 24 Volt SPST round green off/on rocker switch. 20mm mounting dia
RR12R		• Red	• 12 - 24 Volt SPST round red off/on rocker switch. 20mm mounting dia