



12/24V 60 Amp
4 Stage Solar Controller
#SC260

www.projecta.com.au



DESCRIPTION

12/24 Volt automatic, 4 stage solar controller. Can be left connected to the battery to keep it fully charged. These controllers will maintain a constant voltage, keeping the battery fully charged at all times. Overcharge and discharge protected. LCD panel display and LED charge indicators.

FEATURES

- Multi-stage (4 stage) solar controller
- Easy to read LED screen (voltage, current, capacity, etc.)
- Dual USB port for direct powering from controller
- Preset / multiple charging profiles for different battery types
- Overcharge and discharge protection (low voltage disconnect)
- Temperature monitoring, further protect and optimize charging

DIMENSIONS



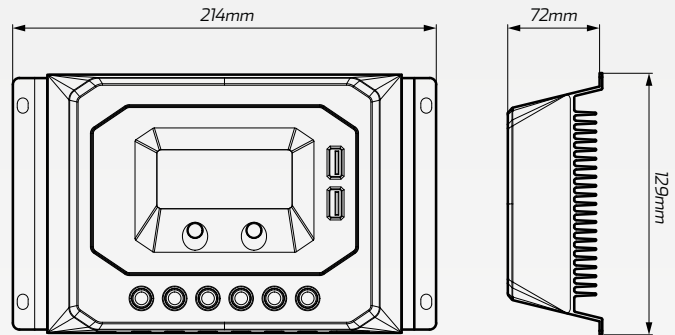
Dual USB Port



Digital LED Screen



Temp. Sensor



TECHNICAL SPECIFICATIONS

Nominal Input Voltage	• 12/24V DC
Battery Voltage Range	• 9 - 32V (Input), 12 / 24V (charge)
Max Input	• 50V, 60A
Rated Charge/Discharge	• 60A @ 55°C
Battery Type	• AGM / Gel / Flooded
Absorption Charging Voltage	• 12V: AGM: 14.4V / Gel: 14.2V / Wet: 14.6V • 24V: AGM: 28.8V / Gel: 28.4V / Wet: 29.4V
Equalize Charging Voltage	• 12V: AGM: 14.6V / Gel: No / Wet: 14.8V • 24V: AGM: 29.2V / Gel: No / Wet: 29.6V
Float Charging Voltage	• AGM / Gel / Wet: 13.8V
Low Voltage Reconnect	• AGM / Gel / Wet: 12.6V @ 12V / 25.2V @ 24V
Low Voltage Disconnect	• AGM / Gel / Wet: 11.1V @ 12V / 22.2V @ 24V
Self-consumption	• <=9.2mA/12V; <=11.7mA/24V

Temperature Compensation Coefficient	• -3mV/°C/2V (25°C)
Charge Voltage Drop	• <=0.29V
Discharge Voltage Drop	• <=0.16V
LCD Temperature Range	• -20°C to 70°C
Working Environment Temperature	• -25°C to 55°C (product work continuously at full load)
Relative Humidity	• <=95%, N.C.
IP Rating	• IP30 rated
Grounding	• Common positive
USB Output	• 5V DC/2.4A (total)
Overall Dimensions	• 214mm x 128.7mm x 72.2mm
Mounting Dimensions	• 205mm x 100mm