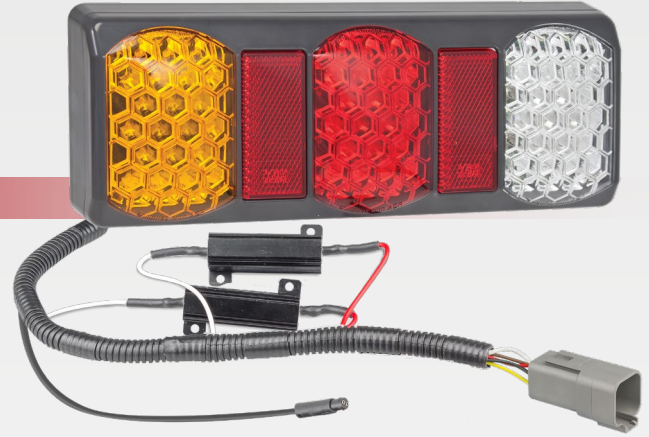




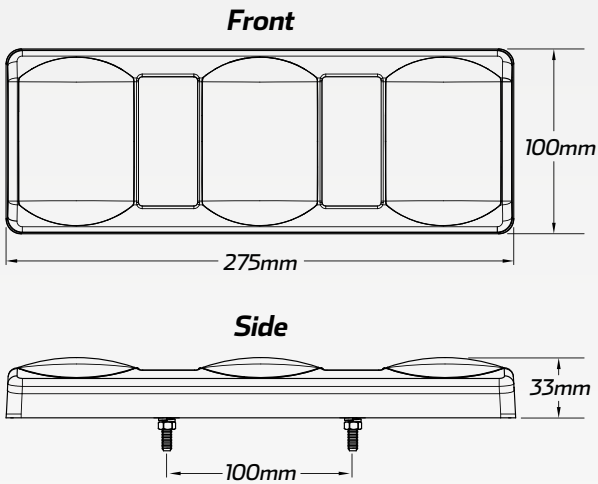
275 Series Lamp
with Conversion Cable
#SO275GARWM2LR450
www.ledautolamps.com



FEATURES

- Helps solve canbus vehicle errors when fitting LED's
- Terminated with DT04-6P male connector
- Includes 2 prewired load resistors
- Plug in license plate lamp cable
- IP67 rated
- 5 year warranty

DIMENSIONS



Total Dimensions:

- Length: 275mm
- Height: 100mm
- Width: 33mm



12V IP67 ECE/ADR **5 YEAR WARRANTY**

FITTING INSTRUCTIONS

Horizontally mount onto flat surface using bolts in back of lamp, run wire and plug through 10mm hole in fixing surface.
Please refer to ADR 13/00 for mounting instructions.

TECHNICAL SPECIFICATIONS

LED Quantity	• 72 LED's	IP Rating	• IP67 rated
Voltage	• 12V only	Warranty	• 5 year warranty
Cable Length	• 45cm, 2 x LR12, DT04-6P male plug	Amperage	• Stop: 0.23A @ 13.8V, 0.12A @ 28V • Tail: 0.04A @ 13.8V, 0.04A @ 28V • Indicator: 0.22A @ 13.8V, 0.16 @ 28V • Reverse: 0.16A @ 13.8V, 0.09 @ 28V
Function	• Stop/Tail, Indicator, Reverse, Reflectors	Approvals	• Stop/Tail: ADR Cat 49/00 CRN 43223 • Indicator: ADR Cat 6/00 2A CRN 43221 • Reverse: ADR Cat 1/00 CRN 43222 • Reflector: ADR Cat 02 1A 1472 • CTA: CTA-060144
Dimensions	• 275mm W x 100mm H x 33mm D		
Bezel Material	• ABS		
Lens Material	• Poly(methyl methacrylate) (PMMA)		