



T20 Wedge Base Replacement LED Globes

#T20

www.ledautolamps.com

10
YEAR
WARRANTY

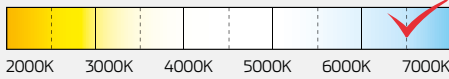


Globe replacements for T20 wedge base

FEATURES

- CANbus compatible
- 18 high brightness SMD LED's
- Reverse polarity protected
- 32 Volt over voltage protection
- 50,000 hour lifespan
- 6500K colour temperature

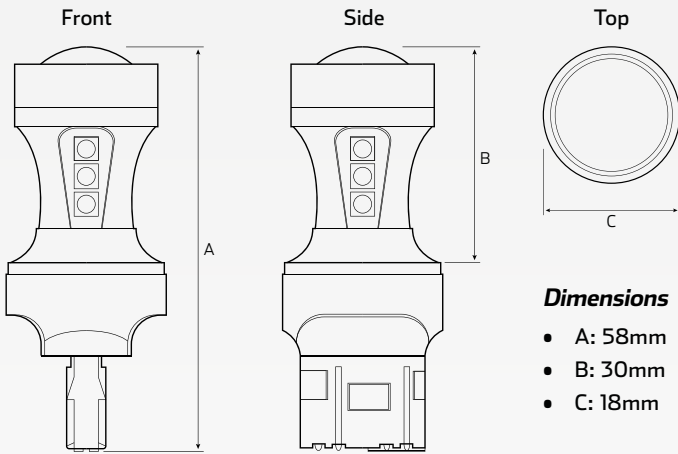
Colour Temperature Scale



12V - 24V

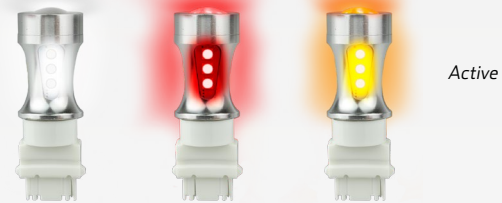
360° Beam

TECHNICAL SPECIFICATIONS



Dimensions

- A: 58mm
- B: 30mm
- C: 18mm



LED Quantity	• 18 SMD LED's
Voltage	• 12 - 24 Volt
Fitting	• T20 Wedge

PART NUMBERS

Part Number	Function	Lumens	Current Draw	Description
T20RM	• Stop / Tail	• Tail - 125 Lumens • Stop - 380 Lumens	• 0.43A @ 12 V	• 12 / 24 Volt LED T20 wedge base stop / tail replacement globe
T20AM	• Indicator	• 380 Lumens		• 12 / 24 Volt LED T20 wedge base indicator replacement globe
T20WM	• Reverse	• 570 Lumens		• 12 / 24 Volt LED T20 wedge base reverse replacement globe