



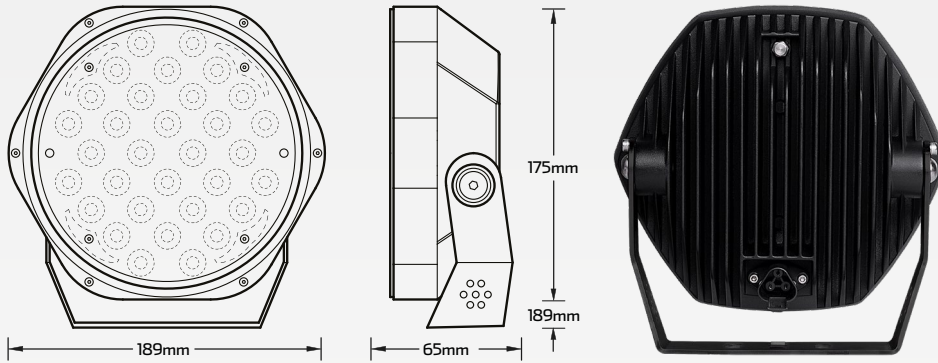
7" TIR Optics Range
Driving Lamps
#TIR7
www.ledautolamps.com



DESCRIPTION

New TIR Optics Range.

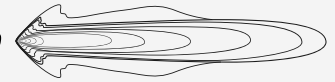
TIR stands for "Total internal reflection" and is the latest in optical design for use with injection molded plastic polymers that are shaped into a refractive lens inside a reflector. This in turn encompasses the on-board LEDs, harnessing the light at the source and focusing each LED to exactly where it is intended with minimal glare or stray light.



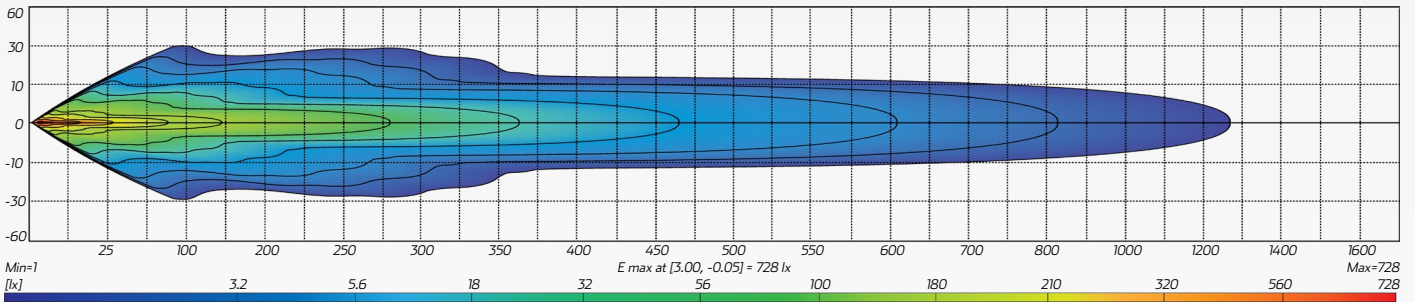
FEATURES

- Focused optics for each LED
- Magnifying light intensity
- No light loss through reflectors
- Heavy duty vibration resistant

HYBRID



BEAM COVERAGE



TECHNICAL SPECIFICATIONS

| | |
|------------------|---|
| Voltage | • 9 - 32 Volt - 160W |
| IP Rating | • IP68 Rated |
| Lumens | • Effective - 12,480lm / Raw - 25,200lm |
| LED Count | • 32 LED's + 4 Park Light LED's |
| Amperage | • 9.2A @ 13.8V |

| | |
|---------------------------|--------------------------------------|
| Beam Coverage | • Hybrid Beam |
| Colour Temperature | • 6500 K |
| Lens | • PMMA |
| Base | • Aluminium |
| Dimensions | • 189mm L x 189mm overall H x 65mm D |