



9" TIR Optics Range Driving Lamps

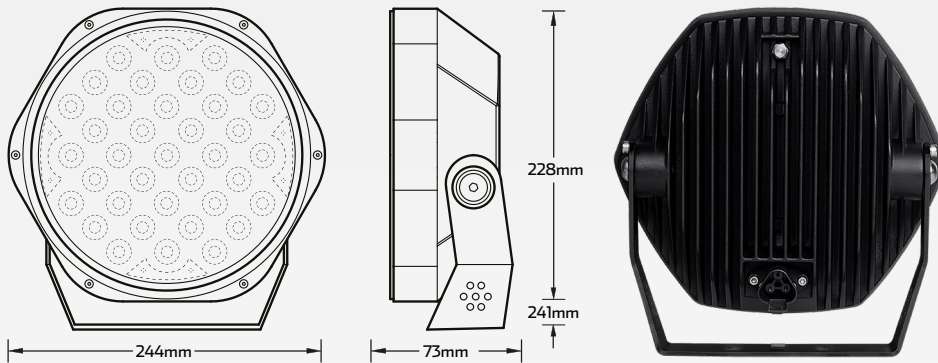
#TIR9

www.ledautolamps.com

DESCRIPTION

New TIR Optics Range.

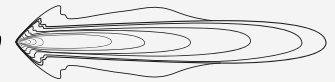
TIR stands for "Total internal reflection" and is the latest in optical design for use with injection molded plastic polymers that are shaped into a refractive lens inside a reflector. This in turn encompasses the on-board LEDs, harnessing the light at the source and focusing each LED to exactly where it is intended with minimal glare or stray light.



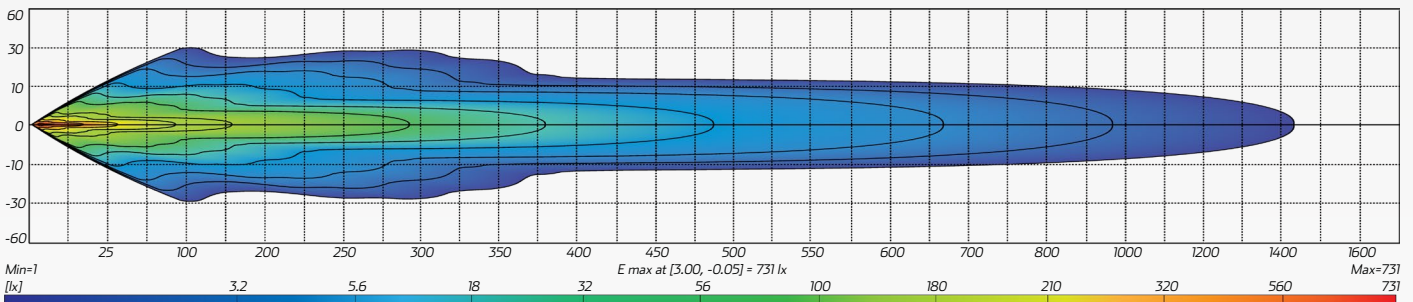
FEATURES

- Focused optics for each LED
- Magnifying light intensity
- No light loss through reflectors
- Heavy duty vibration resistant

HYBRID



BEAM COVERAGE



TECHNICAL SPECIFICATIONS

Voltage	• 9 - 32 Volt - 185W
IP Rating	• IP68 Rated
Lumens	• Effective - 13,800lm / Raw - 27,800lm
LED Count	• 37 LED's + 8 Park Light LED's
Amperage	• 12A @ 13.8V

Beam Coverage	• Hybrid Beam
Colour Temperature	• 6500 K
Lens	• PMMA
Base	• Aluminium
Dimensions	• 244mm L x 241mm overall H x 73mm D