



**Emergency Stop
Switch Normally Closed**

#TMS01H

www.se.com



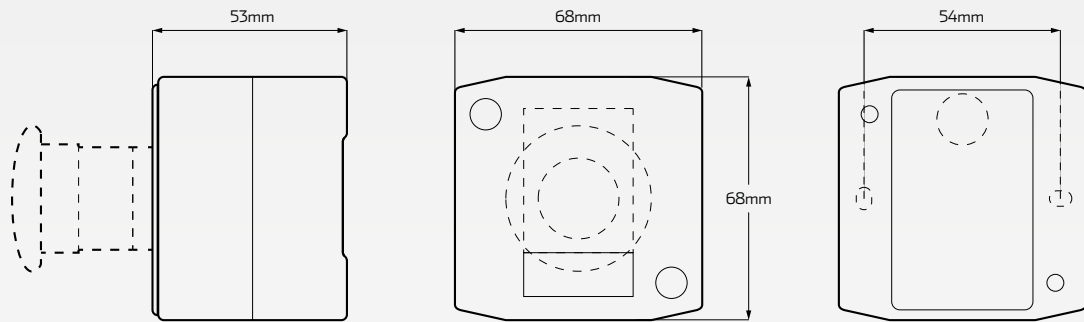
DESCRIPTION

Polycarbonate emergency stop switch with normally closed contact. Twist to reset contact. 300,000 cycles mechanical durability with screw clamps terminals & silver alloy contacts.

600V insulation voltage, EN/IEC 60947-5-1 approved circuit protection.

DIMENSION DIAGRAM

DIMENSIONS



TECHNICAL SPECIFICATIONS

Contacts Function	• 1 x Normally closed	Operating Temperature	• -40°C to 70°C
Operator Profile	• 1 x Mushroom head push button	Protective Treatment	• TH
Reset	• Turn to release	Mechanical Durability	• 300,000 cycles
Housing Colour	• Grey & yellow	Approvals	• EN/IEC 60204-1
Housing Material	• Polycarbonate		• EN/IEC 60947-1
Housing Dimensions	• 68mm W x 68mm H x 53mm D		• EN/IEC 60947-5-4
Mounting Dimensions	• 54mm CTC		• JIS C 4520
Contacts Material	• Silver alloy (AG/Ni)		• EN/IEC 60364-5-53
Contact Operation	• Slow-break	• EN/IEC 60947-5-5	• UL 508
		• CSA C22.2 No 14	• EN/IEC 60947-5-1