



**Emergency Stop Switch  
Normally Closed**

#TMS01

www.se.com



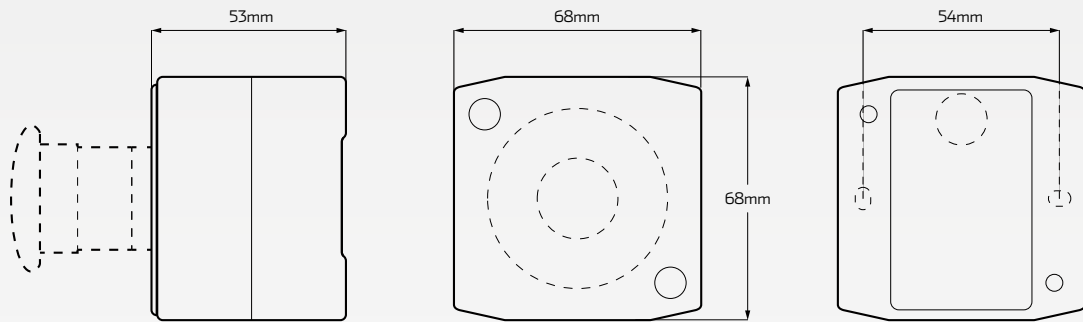
**DESCRIPTION**

Polycarbonate emergency stop switch with normally closed contact. Twist to reset contact. 300,000 cycles mechanical durability with screw clamp terminals & silver alloy contacts.

600V insulation voltage, EN/IEC 60947-5-1 approved circuit protection.

**DIMENSION DIAGRAM**

**DIMENSIONS**



**TECHNICAL SPECIFICATIONS**

<b>Contacts Function</b>	• 1 x Normally closed	<b>Operating Temperature</b>	• -40°C to 70°C
<b>Operator Profile</b>	• 1 x Mushroom head push button	<b>Protective Treatment</b>	• TH
<b>Reset</b>	• Turn to release	<b>Mechanical Durability</b>	• 300,000 cycles
<b>Housing Colour</b>	• Grey & yellow	<b>Approvals</b>	• EN/IEC 60204-1
<b>Housing Material</b>	• Polycarbonate		• EN/IEC 60947-1
<b>Housing Dimensions</b>	• 68mm W x 68mm H x 53mm D		• EN/IEC 60947-5-4
<b>Mounting Dimensions</b>	• 54mm CTC		• JIS C 4520
<b>Contacts Material</b>	• Silver alloy (AG/Ni)		• EN/IEC 60364-5-53
<b>Contact Operation</b>	• Slow-break	• EN/IEC 60947-5-5	• UL 508
		• CSA C22.2 No 14	• EN/IEC 60947-5-1