



Emergency Stop Switch
NC & NO Contacts

#TMSO2

www.se.com



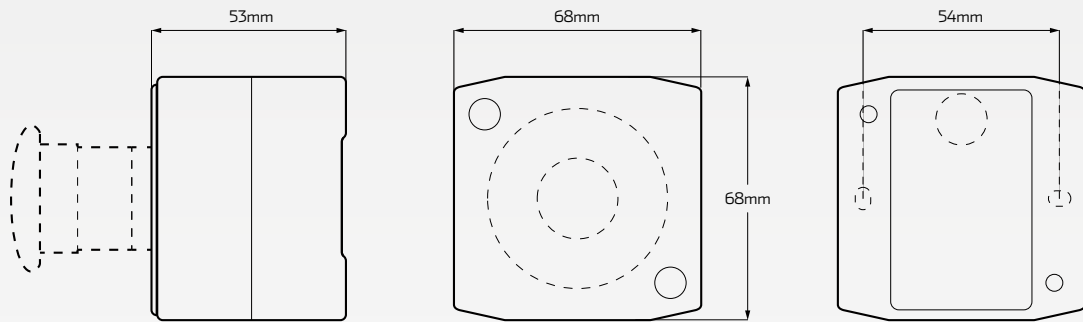
DESCRIPTION

Polycarbonate emergency stop switch with normally closed & normally open contacts. Twist to reset contact. 300,000 cycles mechanical durability with screw clamp terminals & silver alloy contacts.

600V insulation voltage, EN/IEC 60947-5-1 approved circuit protection.

DIMENSION DIAGRAM

DIMENSIONS



TECHNICAL SPECIFICATIONS

Contacts Function	• 1 x Normally closed / 1 x Normally open	Operating Temperature	• -40°C to 70°C
Operator Profile	• 1 x Mushroom head push button	Protective Treatment	• TH
Reset	• Turn to release	Mechanical Durability	• 300,000 cycles
Housing Colour	• Grey & yellow	Approvals	• EN/IEC 60947-5-4
Housing Material	• Polycarbonate		• CSA C22.2 No 14
Housing Dimensions	• 68mm W x 68mm H x 53mm D		• UL 508
Mounting Dimensions	• 54mm CTC		• EN/IEC60947-5-5
Contacts Material	• Silver alloy (AG/Ni)		• EN/ISO 13850
Contact Operation	• Slow-break	• EN/IEC 60947-5-1	• JIS C 4520
		• EN/IEC 60947-1	• EN/IEC 60204-1