

Pioneer 4" (100mm) Slimline
2-Way Speaker
#TS-G1020F

www.pioneer.com.au

DESCRIPTION

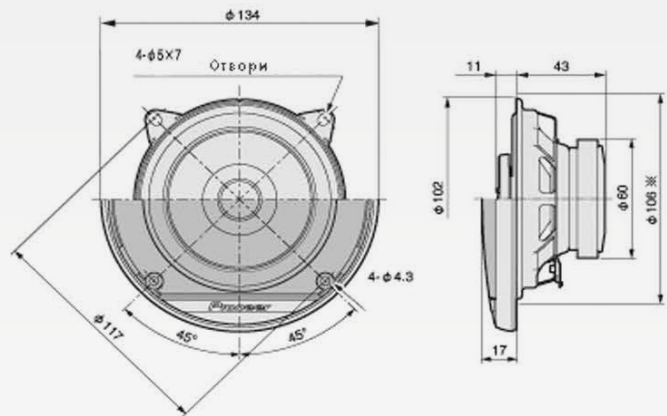
Pioneer 4 (100mm) 2 way black slimline speakers. Features frequency response of 35Hz - 27,000Hz & nominal Impedance of 4 OHM. 210W peak power. 30W recommended amplification.

43mm mounting depth with injected molded polypropylene (IMPP) with MICA cone woofer. 1-3/16" balance dome tweeter.



FEATURES

- 4", 2 way black slimline speakers
- Suitable for a wide range of applications, producing clearer and deeper bass.
- 210W max/peak power with 30W nominal power
- Accepts frequency response of 35Hz - 27,000Hz (-20dB)
- Designed with a shallow 43mm mounting depth, easy installation for wide range of vehicles
- High compliance rubber coated cloth surround
- Equipped with heat resistant voice coil
- Injected Molded Polypropylene™ (IMPP) with MICA material
- Comes with 1 year manufacturer warranty



TECHNICAL SPECIFICATIONS

GENERAL SPECIFICATIONS

Speaker Size	• 4" (100mm)
Design	• 4" 2-way coaxial system
Tweeter Design	• 30mm balanced dome
Tweeter Composition	• Polyethylene Terephthalate (PET)

Woofer Composition	• Injected molded polypropylene (IMPP) with MICA
Woofer Surround	• Rubber coated cloth
Woofer Magnet Composition	• Ferrite

INSTALLATION SPECIFICATIONS

Max. Music Power	• 210W Max (30W Nominal)
Frequency Response	• 35Hz - 27kHz (-20dB)
Sensitivity (1W/1m)	• 87dB
Impedance	• 4 Ohm

Mounting Depth	• 43mm
Cut-out Dimensions	• 106mm
Grills Included	• Yes
Warranty	• 1 year warranty