

**NORDICLIGHTS**  **35W High Beam LED Worklight**

www.nordiclights.com

#WL984-039

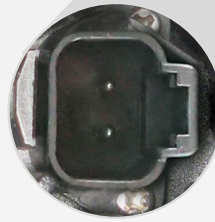
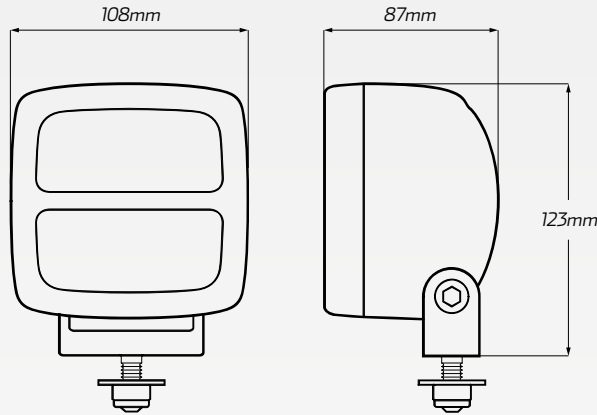


**DESCRIPTION**

Heavy duty SCORPIUS N4406 high beam worklight. Estimated 50,000 hours LED lifespan with over voltage protection, over temperature, spike and polarity protection. 5700K colour temperature.

Environmentally sealed cast aluminium body with Deutsch DT connected encapsulated inside. Extreme shock resistant design & virtually unbreakable polycarbonate lens. IP68 & IP6K9K dust/water protection & up to 60G shock resist.

Comes with a 5 year LED warranty.

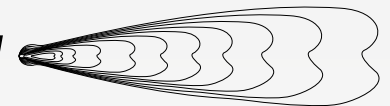


Inbuilt DT connector

**ACCESSORIES**

- 1 x In-built Deutsch connector
- 1 x Mounting bracket

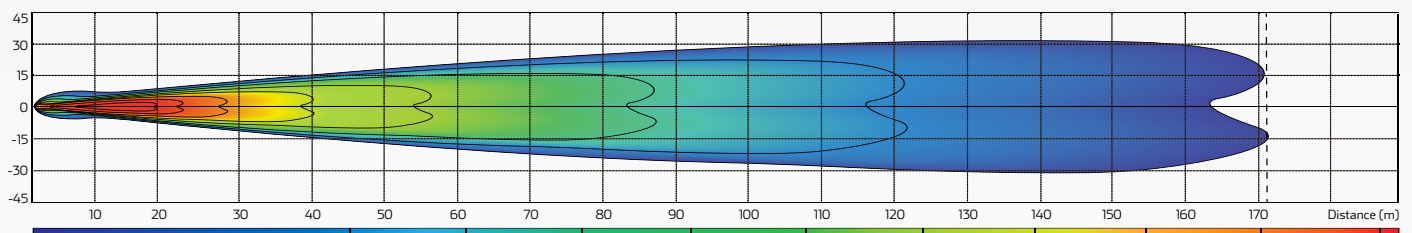
**HIGH Beam**



**TECHNICAL SPECIFICATIONS**

**BEAM COVERAGE**

At a 0° angle (1m high)



<b>Voltage Range</b>	• 9-32 Volt
<b>Wattage</b>	• 35 Watt
<b>Current Draw</b>	• 1.5A @ 24V
<b>Lumens</b>	• Raw: 3,400lm / Efficient: 2,100lm
<b>LED Count</b>	• 10 x Luxeon Rebel LED's
<b>Beam Coverage</b>	• High Beam

<b>Estimated Lifespan</b>	• 50,000 hours
<b>IP Rating</b>	• IP68 & IP6K9K rated
<b>Shock / Vibration</b>	• 60G / 15G rms 24 - 2000Hz
<b>Colour Temperature</b>	• 5,700K
<b>Built Materials</b>	• Aluminium housing, polycarbonate lens
<b>Approvals</b>	• EMC (ISO 13766, 14982, 7637-2)