

NORDICLIGHTS 50W Low Beam LED Worklight

www.nordiclights.com

#WL984-103

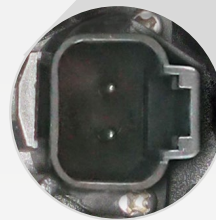
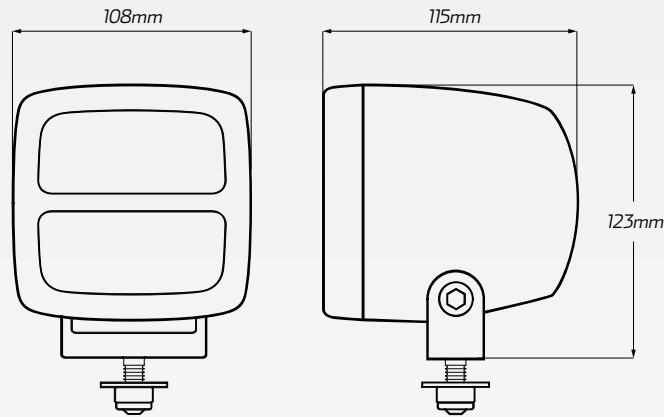


DESCRIPTION

Heavy duty SCORPIUS N4402 low beam worklight. Estimated 50,000 hours LED lifespan with over voltage protection, over temperature, spike and polarity protection. 5700K colour temperature.

Environmentally sealed cast aluminium body with Deutsch DT connected encapsulated inside. Extreme shock resistant design & virtually unbreakable polycarbonate lens. IP68 & IP6K9K dust/water protection & up to 60G shock resist.

Comes with a 5 year LED warranty.

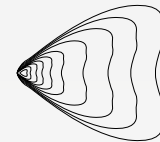


Inbuilt DT connector

ACCESSORIES

- 1 x In-built Deutsch connector
- 1 x Mounting bracket

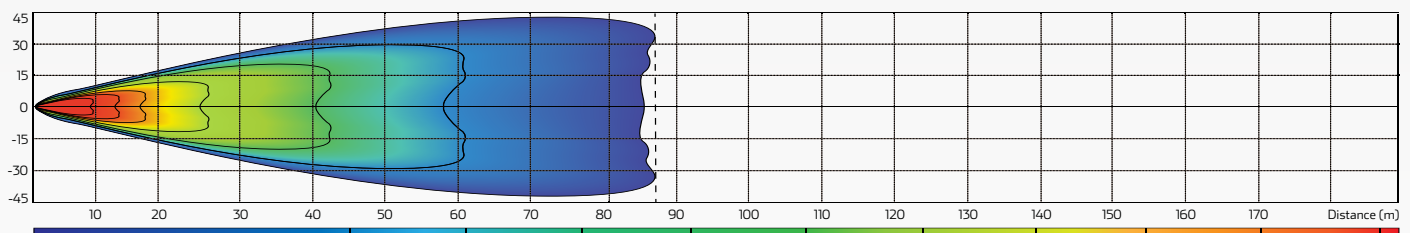
LOW Beam



TECHNICAL SPECIFICATIONS

BEAM COVERAGE

At a 0° angle (1m high)



Voltage Range	• 9-32 Volt
Wattage	• 50 Watt
Current Draw	• 2.1A @ 24V
Lumens	• Raw: 6,700lm / Efficient: 4,200lm
LED Count	• 10 x CREE XML LED's
Beam Coverage	• Low Beam

Estimated Lifespan	• 50,000 hours
IP Rating	• IP68 & IP6K9K rated
Shock / Vibration	• 60G / 15.3G rms 24 - 2000Hz
Colour Temperature	• 5,700K
Built Materials	• Aluminium housing, Polycarbonate lens
Approvals	• EMC (ISO 13766, 14982, 7637-2)